

## Commissioning, maintenance and safety manual

### INL100



Change content	Date	Index
Initial release	25/06/21	0



LOREME 12, rue des Potiers d'Etain Actipole BORN Y - B.P. 35014 - 57071 METZ CEDEX 3  
Phone 03.87.76.32.51 - Telefax 03.87.76.32.52  
Contact: Commercial@Loreme.fr - Technique@Loreme.fr  
Download manual at: www.loreme.fr



Writing : DP  
Checking : KR  
Approved : PH

# Summary

<b>1 Introduction</b>	<b>E3</b>
<b>1.1 General information</b>	<b>E3</b>
<b>1.2 Functions and intended uses</b>	<b>E3</b>
<b>1.3 Standards and Guidelines</b>	<b>E3</b>
<b>1.4 Information manufacturer</b>	<b>E3</b>
<b>2 Safety function and safety state</b>	<b>E4</b>
<b>2.1 Safety function</b>	<b>E4</b>
<b>2.2 Safety fallback position</b>	<b>E4</b>
<b>3 Safety Recommendation</b>	<b>E4</b>
<b>3.1 Interfaces</b>	<b>E4</b>
<b>3.2 Configuration / Calibration</b>	<b>E4</b>
<b>3.3 Useful lifetime</b>	<b>E4</b>
<b>4 Installation, commissioning and replacement</b>	<b>E5</b>
<b>4.1 Device description</b>	<b>E5</b>
<b>4.2 Electrical connection and configuration</b>	<b>E6</b>
<b>4.3 Internal synoptic</b>	<b>E6</b>
<b>5 Commissioning and periodic proof</b>	<b>E7</b>
<b>5.1 Control steps</b>	<b>E7</b>
<b>5.2 proof interval</b>	<b>E7</b>
<b>SIL2 compliance Declaration</b>	<b>E8</b>
<b>FMEA</b>	<b>E9-10</b>
<b>Appendix 1: Using data from the FMEA and further information on temperature sensors.</b>	<b>E11</b>
<b>Appendix 2: Terms and definitions.</b>	<b>E12</b>
<b>Appendix 3: EMC consideration</b>	<b>E13</b>

## 1 Introduction

### 1.1 General Information

This manual contains necessary information for product integration to ensure the functional safety of related loops.  
All the failure modes and the HFT of the module are specified in the FMEA analysis referenced: AMDEC INL100 rev3.XLS

Other documents:

- Technical datasheet INL100
- EMC conformity declaration INL100 rev3
- FMEA analysis INL100 rev3
- configuration handbook INL100 rev3.x

The mentioned documents are available on [www.loreme.fr](http://www.loreme.fr)

The assembly, installation, commissioning and maintenance can only be performed by trained personnel qualified who have read and understood the instructions in this manual.

When it is not possible to correct the defects, the equipment must be decommissioned, precaution must be taken to protect against accidental use. Only the manufacturer can bring the product to be repaired.

Failure to follow advice given in this manual can cause a deterioration in security features, and damage to property, environment or people.

### 1.2 Functions and intended uses

The acquisition unit INL100 provide the conversion and display of temperature measurement from pyrometric probe or analog signals. The information transmit is made by a threshold detection with individuals relays and alarm relays. And can, with the optional analog output signal 4..20mA provide the image of one channel or a inter-channel calculation.

The devices are designed, manufactured and tested according to security rules.  
They should be used only for the purposes described and in compliance with environmental conditions contained in the data sheet : [http://www.loreme.fr/fichtech/INL100\\_eng.pdf](http://www.loreme.fr/fichtech/INL100_eng.pdf)

### 1.3 Standards and Guidelines

The devices are evaluated according to the standards listed below:

- Functional safety according to IEC 61508, 2000 edition:  
Standard for functional safety of electrical / electronic / programmable electronic .

The evaluation of the material was performed by "*failure modes and effects analysis*" (IEC 60812 - Issue 2 - 2006) to determine the device safe failure fraction (SFF)

The FMEA is based on (IEC 62380-2004)  
Reliability data handbook "Universal model for reliability prediction of electronics components, PCBs and equipment"

### 1.4 Manufacturer information

LOREME SAS  
12, rue des potiers d'étain 57071 Actipole Metz Borny  
FRANCE  
[www.loreme.fr](http://www.loreme.fr)

**2 Safety function and safety state**

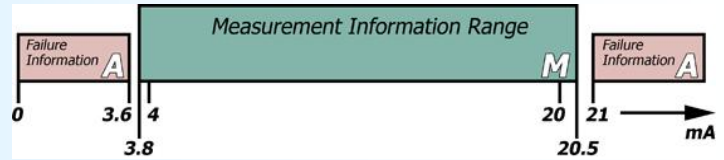
**2.1 Safety function**

The safety function of the device is completed, as long as the threshold detection function is not altered and if device equipped with analog output, the output signal reproduce the input measurement with a tolerance of + / -2%. The operation range of the output signal goes from 3.8 mA to 20.5 mA.

**2.2 Safety fallback position**

The safety fallback state is defined by output current outside the range of 3.6 mA to 21mA.

- Either an output current <3.6 mA
- Either an output current > 21 mA



The application should always be configured to detect the opening of contact relay and any current value out of range (<3.6 mA , > 21 mA) and considered them as "faulty ". Thus, in the FMEA study, this condition is not considered dangerous. The reaction time for all the safety functions is <1500 ms (for 12 channels device).

**WARNING!** the burn out value is freely programmable. It is up to the installer to verify compatibility with process safety ( factory burn out value is programmed at : 21 mA)

**3 Safety Recommendation**

**3.1 Interfaces**

The device has the following interfaces :

- safety interfaces : analog input, relay output, analog output
- not safety interfaces : pushbutton interface, display, serial link RS232 (device configuration)

The access to configuration from front face must be invalidated ( by the RS232 link) for the SIL2 applications.

**3.2 Configuration / Calibration**

the device configuration is required to define the operating mode (sensor type, measurement range, burn out value) refer to the configuration handbook.

the calibration is only possible by go back device to factory, no changes should be made to the device.

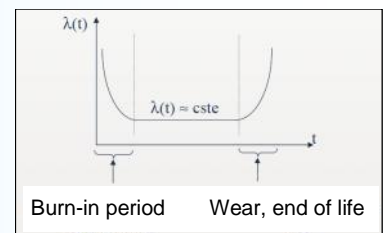
**3.3 Useful lifetime**

Although a constant failure rate is assumed by the probabilistic estimation, that it applies only to the useful lifetime of components. Beyond this lifetime, the probability of failure is increasing significantly with time. The useful lifetime is very dependent of components themselves and operating conditions particularly the temperature, (Electrolytic capacitors are very sensitive to temperature).

This assumption of a constant failure rate is based on the bathtub curve, which shows the typical behavior of electronic components. Therefore, the validity of this calculation is limited to the useful life of each component. It is assumed that early failures are detected for a very high percentage during the burn in and the installation period, assuming a constant failure rate during the useful life remains valid.

According to IEC 61508-2, a useful lifetime based on the feedback, must be considered. Experience has shown that the useful lifetime is between 15 and 20 years, and may be higher if there are no components with reduced lifetime in security function. (Such as electrolytic capacitors, relays, flash memory, opto coupler) and if the ambient temperature is well below 60 °C.

Evolution of failure rate



**Note:**

The useful lifetime corresponds to constant random failure rate of the device. The effective lifetime may be higher.

User must ensure that the device is no longer necessary for the security before its disposal.

## 4 Installation, commissioning and replacement

Operating capacity and current error reporting should be checked during commissioning (validation) see section: "**commissioning and periodic proof**"

and at appropriate intervals recommended in paragraph: "**proof interval**".

Any device that does not satisfy the commissioning control must be replaced.

### WARNING!

No user maintenance should be conducted, a defective device must be replaced by a new device of the same type.

For a repair return or a recalibration, it is very important that all types of equipment failures are reported to allow the factory to take corrective action to prevent systematic errors.

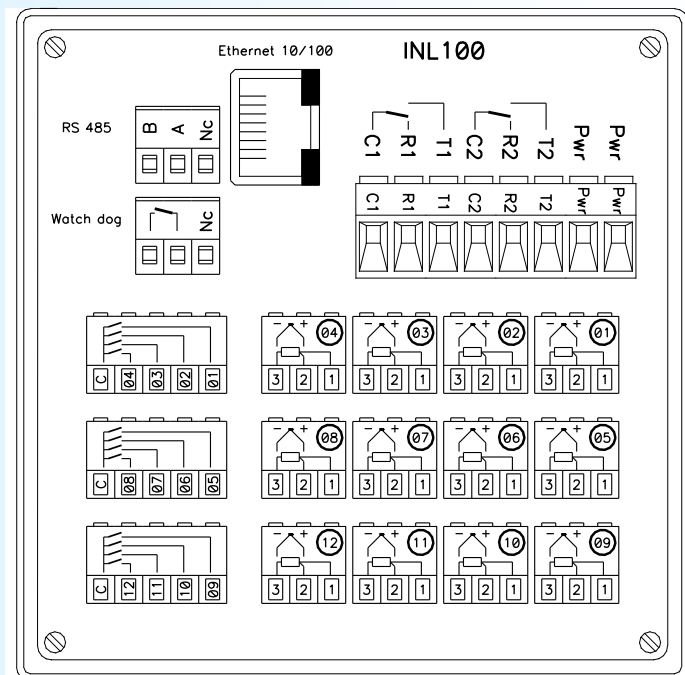
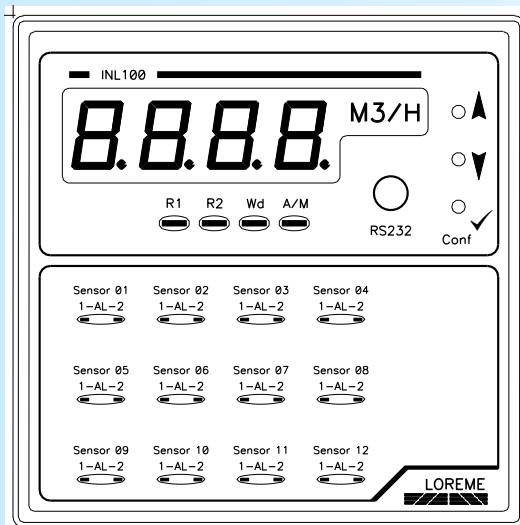
### 4.1 Device description

RS232 link accessible via the Jack plug (use only interface cord supplied by LOREME)

Warning: The access to configuration mode freeze the output current and relay (stop the measurement and alarm detection functions during configuration)

For security reason, the device quit the configuration mode to go back in measure mode after 2 minutes of inactivity.

The configuration access via the front face must be protected (by RS232) in order to prevent any unauthorized personnel from modifying the configuration of device.



**4.2 Electrical connection and configuration**

This information are complementary to the handbook manual

- The device is not sensitive to the power supply polarity. The power supply may be DC or AC
- For a remote thermocouple, take care of using compensation cable or extension cable with the same type of thermocouple and with good polarity. (it may cause error or drift of temperature measure)
- For a remote PT100 probe, take care of using cable with 3 or 4 wire with same section to have a good line compensation.
- For the current (mA) input, check the loop calculation (load) to prevent a saturation of input signal.
- Ensure the right choice of sensor type input in configuration.
- Check if the temperature range in device and in plc are the same.
- The relay contact must be use in order to put the system in safety mode when device lost its power supply.
- The burn out value ( Sensor break detection) of the analog output must be programmed <3.6mA or ≥ to 21mA (21mA factory)

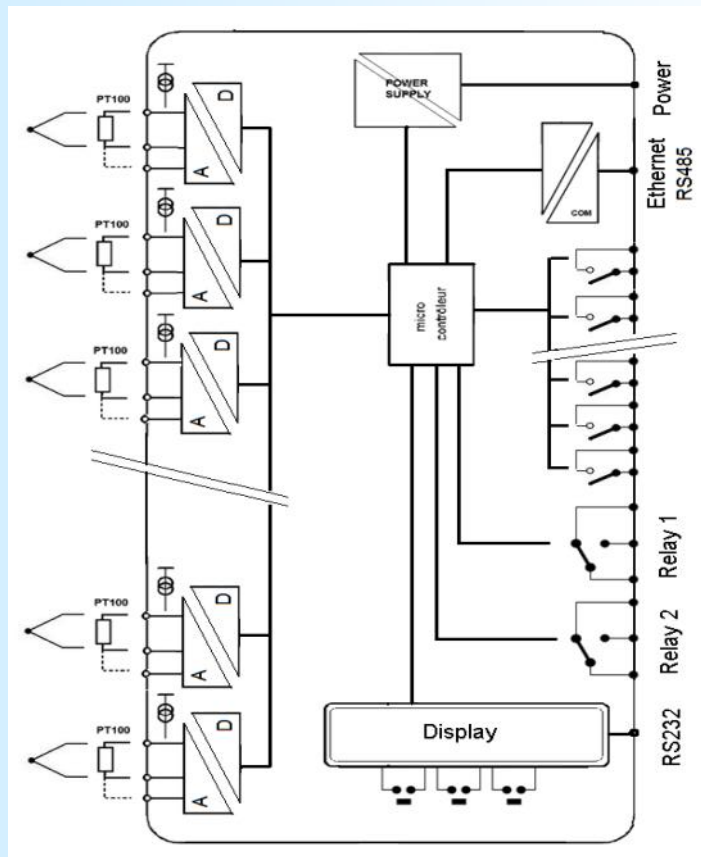
**WARNING!**

Do not exceed the specifications of the data sheet, to ensure safe operation of the analog output it is necessary to have:

- respect the voltage range of power supply
- respect the maximum load in loop current with 10% margin

*Be careful, exceeding 4 ... 20mA loop load ,can prevent the output current to reach the burn out or max value. It may saturate in the measurement range , and place the system in a dangerous state.*

**4.3 Internal synoptic**



**5 Commissioning and periodic proof**

The periodic test procedure is defined by LOREME and must be followed by the end user to ensure and guarantee the SIL level over time. Periodic testing should be performed following the procedure defined below and at the intervals defined under paragraph " **proof interval** "

**5.1 control steps**

Periodic proof allows detection of possible product internal failure and loop calibration. Environmental conditions and a minimum heating time of 5 minutes must be respected.

Transmitter test and complete output Loop control (the system is unavailable during the test)

1. If necessary, bypass the security system and / or take appropriate provision to ensure safety during the test.
2. Inspect the device, no visible damage or contamination (oxidation)
3. Check if watchdog contact relay is closed.
4. Disconnect the relays output. Wiring a *ohmmeter*\*
- 4a. If analog output is present, connect a *milliammeter*\*
5. Disconnect the sensor or the input signal in one channel
6. Verify the opening of individual relays and alarms relays contacts (according to configuration). The device is in "Breaking sensor detection". The output if present and following configuration, provide a current >21mA indicating the "breaking sensor" detection.
7. Disconnect one by one the input sensor and check the relays status.
8. Connect a *signal simulator*\* on one channel input.
9. Simulate the appropriate value to the input range and check the threshold tripping. The trip value should be the setting value near +/- 1%.
10. Do the same test with the other channels
11. Disconnect the *simulator*\* and reconnect the sensor to the converter input. (check that the output current is in the range)
12. Remove the *ohmmeter*\* and the *milliammeter*\* and reconnect the contact relays and analog output.
11. After testing, the results should be documented and archived.

Any device that does not satisfy the control needs to be replaced.

\*: *milliammeter*, *ohmmeter* and the *simulator* must be calibrated on a regular basis for this test (depending on the state of the art and best practice)

**5.2 proof interval**

According table 2 from CEI 61508-1 the PFDavg ,for systems operating in low demand mode, must be between  $\geq 10^{-3}$  and  $<10^{-2}$  for SIL2 safety functions and between  $\geq 10^{-4}$  and  $<10^{-3}$  for SIL3 safety functions.

$\lambda$ safe	$\lambda$ dangerous detected	$\lambda$ dangerous undetected = PFH	SFF (Safe Failure Fraction)	DC (Diagnostic Coverage)
100 FIT	658 FIT	67 FIT	91.9 %	90.8 %

temperature conditions : 30°C

**PFDavg value depending proof interval**

T[Proof] = 1 year	T[Proof] = 5 years	T[Proof] = 10 years	T[Proof] = 20 years
PFDavg=2.9E <sup>-04</sup>	PFDavg=1.5E <sup>-03</sup>	PFDavg=2.9E <sup>-03</sup>	PFDavg=5.8E <sup>-03</sup>

approximation :  $PFD_{avg} = \lambda_{dangerous\ undetected} \times T[Proof] / 2$  (error caused by approximation < 3%)

Fields marked in green means that the calculated values of PFDavg are within the limits allowed for SIL2 (using 10% of resources of the safety instrumented function, Tproof may be increased by using a larger fraction of SIF)

Summary :

Probability of default:  $PFD = 2.9 E^{-4} \times T_{proof}$  [years]

either for Tproof = 5 years, 15 % of safety instrumented function in SIL2 category

Remarks :

- Test intervals should be determined according to the PFDavg required .
- The SFF , PFDavg and PFH must be determined for the entire safety instrumented function (SIF) ensuring that the " out of range current values" are detected at system level and they actually lead to the safety position.

# DECLARATION OF CONFORMITY



REV1  
Page 1/1

The LOREME society declare under our sole responsibility, that the following product:

Designation: **Programmable 4 digits panel meter for process and temperature signals**

Type: **INL100**

Revision : 3

date : 05/2017

Can be used for functional safety applications up to SIL2 according to standard IEC61508-2: 2000 respecting the safety instructions specified in the safety manual .

The assessment of the safety critical and dangerous random errors lead to the following parameters :

device with type B components , Hardware fault tolerance HFT = 0  
values for a 12 channels acquisition unit with individuals relays

$\lambda$ safe	$\lambda$ dangerous detected	$\lambda$ dangerous undetected = PFH	SFF (1)	DC	PFDavg T[Proof] = 1 year	PFH
100 FIT <sub>(2)</sub>	658 FIT <sub>(2)</sub>	67 FIT <sub>(2)</sub>	91.9 %	90.8%	2.93E <sup>-04</sup>	6.7E <sup>-08</sup> 1/h

(1) according to FMEA INL100 rev3 established with "ALD MTBF calculator" : <http://www.aldservice.com/>

(2) FIT = Failure rate (1/h)

The safety manual gives the failure probabilities of associated sensors (Pt100 and thermocouple) to allow the evaluation of a complete loop.

Metz : 24/05/2017

Signed on behalf of LOREME ; M. Dominique Curulla



## FMEA Details

**Context**

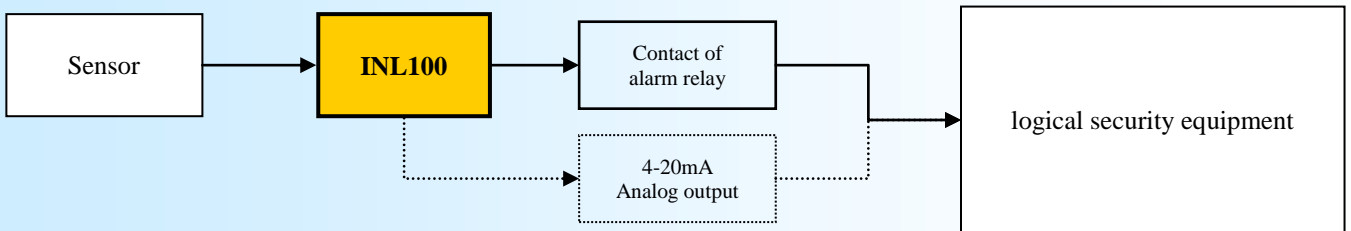
This document details the Failure Mode and Effects Analysis (FMEA) of INL100 component of society LOREME. Besides the characterization of the information necessary for safe operation (especially for availability calculations and constitution of stock of spare parts), this study can meet the requirements of IEC-61508 standard for identifying and quantifying dangerous failures of the component, allowing to interact with the design to avoid or reduce these risks.

**Circumstances of the analysis**

This study was conducted in order to verify the ability of the acquisition unit INL100 to be used in SIL2 applications.

**Scope of analysis**

The component concerned includes an electronics component assembly dedicated to the acquisition of input signals from pyrometric probe and provide alarm threshold detection or an analog output signal (4 .. 20 mA). Typically, an acquisition unit is interfaced between a sensor and protection equipment, referred to as "logical security equipment"



**Characterization of the component**

The acquisition unit INL100 is a type « B » subsystem [CEI61508-2-§ 7.4.3.1.2] :  
 The components failure modes necessary for achieving the safety function are well defined.  
 The transmitter behavior in fault conditions is fully determined.  
 The converter has a feedback in many security applications.

**Safe failure**

[CEI61508-4-§3,6.8] Safe failure : Failure that has no potential to put the safety system in a dangerous state or unable to perform its function.  
 A safe failure is a failure that is not hazardous. Also known as secure failure.

**SFF** [CEI61508-2-§7.4.3.1.1-d] Safe failure fraction is the ratio of the sum of safe failure rate  $\lambda_S$  plus the dangerous detected failure rate  $\lambda_{DD}$  of the subsystem to the total failure rate of the subsystem (sum of safe failure  $\lambda_S$  and hazardous failure  $\lambda_D$  ).

$$SFF = \frac{\lambda_S + \lambda_{DD}}{\lambda_S + \lambda_D}$$

**Dangerous Failure:**

[CEI61508-4-§3,6.7] Dangerous failure: Failure which has the potential to put the safety instrumented system in a hazardous or fail-to-function state. Also referred as unsafe failure.

**Functional Analysis**

The acquisition unit consists of:  
 a power supply stage  
 several isolated input stage (analog to digital converter)  
 a microcontroller (linearization, temperature compensation, signal scaling and display and alarms functions)  
 alarms relays  
 and output stage.

**Definition of the feared event**

For the acquisition unit **INL100**, the feared event ( the dangerous failure, as defined in the previous section) is the impossibility to transmit an alarm or the emission of erroneous output current (if equipped of optional analog output) :  
 Either erroneous output current of more than 1% compared to the process demand.  
 Either an output current, blocked at a value such that it can not take a failsafe value :  
 output current locked in a range  $> 3.6 \text{ mA}$  or  $< 21 \text{ mA}$ .

**Definition of the failsafe state**

The failsafe state is defined by the contact relay opening, or by an output current out of the range of  $3.6 \text{ mA} - 21 \text{ mA}$ .  
 (either an output current  $\leq 3.6 \text{ mA}$ , either an output current  $\geq 21 \text{ mA}$ )  
 The burn out value of panel meter will necessarily be programmed for one of these values.  
 The application of the "logical Safety Equipment" program must absolutely be set to detect the opening of contact relay or any current value out of range ( $\leq 3,6 \text{ mA}$  et  $\geq 21 \text{ mA}$ ) and considered them as "faulty".  
 Therefore, in the FMEA study, this state is considered safe.

**Study assumptions**

The failure rate of the components are considered constant throughout the life of the system.  
 The evaluation of safety features of the module involves a number of assumptions:  
**Only the hardware aspect is covered. The aspect of dependability of the software is not discussed.**  
**(the safety of software is taken to account during the development, checking, and validation phases of conception in quality procedure )**

Only catalectic failures are taken into account : Frank failures, sudden and unpredictable.  
 Are not considered, the defects that may be due to:  
 - design errors,  
 - to defects in production batch,  
 - the environment (electrical interference, temperature cycling, vibration)  
 - human errors in operation or maintenance  
 (precautions are taken to avoid them: such as range value checks, coherence du materiel ...)  
 only simple failures are handled. Solder defects, which are usually due to a lack of quality detectable after manufacturing by a specific burn-in, are not taken into account.  
 All specific aspects related to the power up phase are not covered.

**Failure rate**

Below the rate of basic component failures of the acquisition unit **INL100** are available in document :  
[AMDEC INL100 rev3.XLS](#)

establish with " ALD MTBF calculator " according : MIL-HDBK-217F Notice 2 Electronic Reliability Prediction.

**Using FMEA data and Additional information about temperature sensors.**

The measure converter connected to a temperature sensor in a temperature probe becomes an assembly. Therefore, when using the results of the FMEA in a SIL assessment, the failure rate of the sensors (Pt100 or thermocouple) must be taken into account for the calculation of the safety instrumented function (SIF)

Below are the summary of failure modes and frequencies for PT100 and thermocouples depending on the type of connection and the environment in which they are used.

**Typical failure rates of thermocouples and PT100 with extension cable (remote sensor)**

sensor type and process conditions	failure rate (FIT)
thermocouple in low stress environment	1000
thermocouple in high stress environment	20000
2 or 3 wires Pt100 in low stress environment	475
2 or 3 wires Pt100 in high stress environment	9500
4 wires Pt100 in low stress environment	500
4 wires Pt100 in high stress environment	10000

**Typical failure rates of thermocouples and PT100 without extension cable (sensor with included transmitter)**

sensor type and process conditions	failure rate (FIT)
thermocouple in low stress environment	100
thermocouple in high stress environment	2000
2 or 3 wires Pt100 in low stress environment	48
2 or 3 wires Pt100 in high stress environment	960
4 wires Pt100 in low stress environment	50
4 wires Pt100 in high stress environment	1000

**Typical distribution of failure mode for thermocouples**

Failure mode	With extension cable	Direct connection without extension
open circuit	90%	95%
short circuit	5%	4%
drift *	5%	1%

\* the drift phenomenon of the thermocouples is essentially due to aging

**Typical distribution of failure mode for PT100**

Failure mode	With extension cable	Direct connection without extension
open circuit	78%	79%
short circuit	2%	3%
drift	20%	18%

The failure rate distribution depends slightly of the type of pt100 connection (2,3,4 wires)

stress conditions are: strong vibrations on the process and or frequent temperature cycles, these events that cause substrate cracks and broken welds on the connecting cables.

**Terms and definitions**

The International Electrotechnical Commission's (IEC) standard IEC 61508 defines SIL. The SIL notions are repeated in standard derivative of IEC61508 like IEC61511 related to instrumented system (SIS) for process and the IEC 62061 related to the system with programmable electronic for machines. To achieve a safety application, first evaluate the risk (dangerousness, frequency of occurrence), to define the level of safety: the SIL level.

SIL defines the reliability level of SIS. There are two methods to calculated SIL, depending on whether the security system is operating in low demand or whether it operates continuously or at high load. There are 4 level of SIL (SIL1 to SIL4). More than SIL level is high, more the availability of safety system is high.

For the safety system operating in low demand, we talk about probability of failure on demand  $PFD_{avg}$  in a 10 years period. Following the relationship between the SIL and the  $PFD_{avg}$

- SIL 4 :  $PFD_{avg}$  between  $10^{-5}$  and  $10^{-4}$
- SIL 3 :  $PFD_{avg}$  between  $10^{-4}$  and  $10^{-3}$
- SIL 2 :  $PFD_{avg}$  between  $10^{-3}$  and  $10^{-2}$
- SIL 1 :  $PFD_{avg}$  between  $10^{-2}$  and  $10^{-1}$

For the safety system operating in high load demand or in continuous operation, we talk about probability of dangerous failure per hour PFF. Following the relationship between the SIL and the PFF

- SIL 4 : PFF between  $10^{-9}$  and  $10^{-8}$
- SIL 3 : PFF between  $10^{-8}$  and  $10^{-7}$
- SIL 2 : PFF between  $10^{-7}$  and  $10^{-6}$
- SIL 1 : PFF between  $10^{-6}$  and  $10^{-5}$

**SIL levels scale :**

SIL *	Mode of operations		Risk reduction factor
	Low demand PFD**	High demand PFH***	
4	$\geq 10^{-5}$ to $< 10^{-4}$	$\geq 10^{-9}$ to $< 10^{-8}$	10 000 to 100 000
3	$\geq 10^{-4}$ to $< 10^{-3}$	$\geq 10^{-8}$ to $< 10^{-7}$	1 000 to 10 000
2	$\geq 10^{-3}$ to $< 10^{-2}$	$\geq 10^{-7}$ to $< 10^{-6}$	100 to 1 000
1	$\geq 10^{-2}$ to $< 10^{-1}$	$\geq 10^{-6}$ to $< 10^{-5}$	10 to 100

\* Safety integrity level

\*\* Probability of Failure on low Demand

\*\*\* Probability of a dangerous Failure per Hour

**Abbreviation**

**Description**

- HFT** Hardware Fault Tolerance, capability of a functional unit to continue the execution of the demanded function when faults or anomalies exist.
- MTBF** Mean interval between two failures
- MTTR** Mean interval between the occurrence of the failure in a device or system and its repair
- PFD** Likelihood of dangerous safety function failures occurring on demand
- $PFD_{avg}$**  Average likelihood of dangerous safety function failures occurring on demand
- SIL** Safety Integrity Level, the international standard IEC 61508 defines four discrete safety integrity levels (SIL1 to SIL4). Each level corresponds to a specific probability range with respect to the failure of a safety function. The higher the integrity level of the safety-related system, the lower the likelihood of the demanded safety functions not occurring.
- SFF** Safe Failure Fraction, the proportion of failures without the potential to put the safety-related system into a dangerous or impermissible functional state.
- TProof** In accordance with IEC 61508-4, chapter 3.5.8, TProof is defined as the periodic testing to expose errors in a safety-related system.
- XooY** Classification and description of the safety-related system with respect to redundancy and the selection procedure used. "Y" indicates how often the safety function is carried out (redundancy). "X" determines how many channels must work properly.
- $\lambda_{sd}$  und  $\lambda_{su}$**   $\lambda_{sd}$  Safe detected +  $\lambda_{su}$  Safe undetected Safe failure (IEC 61508-4, chapter 3.6.8): A safe failure is present when the measuring system switches to the defined safe state or the fault signaling mode without the process demanding it.
- $\lambda_{dd}$  +  $\lambda_{du}$**   $\lambda_{dd}$  Dangerous detected +  $\lambda_{du}$  Dangerous undetected Unsafe failure (IEC 61508-4, chapter 3.6.7): Generally a dangerous failure occurs if the measuring system switches into a dangerous or functionally inoperable condition.
- $\lambda_{du}$**   $\lambda_{du}$  Dangerous undetected A dangerous undetected failure occurs if the measuring system does not switch into a safe

## EMC Consideration

### 1) Introduction

To meet its policy concerning EMC, based on the Community directives **2014/30/EU** & **2014/35/EU**, the LOREME company takes into account the standards relative to this directives from the very start of the conception of each product.

The set of tests performed on the devices, designed to work in an industrial environment, are made in accordance with **IEC 61000-6-4** and **IEC 61000-6-2** standards in order to establish the EU declaration of conformity. The devices being in certain typical configurations during the tests, it is impossible to guarantee the results in every possible configurations. To ensure optimum operation of each device, it would be judicious to comply with several recommendations of use.

### 2) Recommendations of use

#### 2.1 ) General remarks

- Comply with the recommendations of assembly indicated in the technical sheet (direction of assembly, spacing between the devices, ...).
- Comply with the recommendations of use indicated in the technical sheet (temperature range, protection index).
- Avoid dust and excessive humidity, corrosive gas, considerable sources of heat.
- Avoid disturbed environments and disruptive phenomena or elements.
- If possible, group together the instrumentation devices in a zone separated from the power and relay circuits.
- Avoid the direct proximity with considerable power distance switches, contactors, relays, thyristor power groups, ...
- Do not get closer within fifty centimeters of a device with a transmitter (walkie-talkie) of a power of 5 W, because the latter can create a field with an intensity higher than 10 V/M for a distance fewer than 50 cm.

#### 2.2 ) Power supply

- Comply with the features indicated in the technical sheet (power supply voltage, frequency, allowance of the values, stability, variations ...).
- It is better that the power supply should come from a system with section switches equipped with fuses for the instrumentation element and that the power supply line be the most direct possible from the section switch.
- Avoid using this power supply for the control of relays, of contactors, of electrogates, ...
- If the switching of thyristor statical groups, of engines, of speed variator, ... causes strong interferences on the power supply circuit, it would be necessary to put an insulation transformer especially intended for instrumentation linking the screen to earth.
- It is also important that the installation should have a good earth system and it is better that the voltage in relation to the neutral should not exceed 1V, and the resistance be inferior to 6 ohms.
- If the installation is near high frequency generators or installations of arc welding, it is better to put suitable section filters.

#### 2.3 ) Inputs / Outputs

- In harsh conditions, it is advisable to use sheathed and twisted cables whose ground braid will be linked to the earth at a single point.
- It is advisable to separate the input / output lines from the power supply lines in order to avoid the coupling phenomena.
- It is also advisable to limit the lengths of data cables as much as possible.